



***EVOI SQ***

[WWW.MECASIMHARDWARE.COM](http://WWW.MECASIMHARDWARE.COM)

## ***INTRODUCTION***

Dear customer, thank you for purchasing our MECA EVO1 SQ.

This EVO1 SQ sequential shifter was developed as part of our MECA EVO1 series to accompany our newest pedal set. Before you install or use the product, please read the manual which will provide the basic information required for the first installation and the possible configurations of our handbrake.

For any further information, please visit the "Support" section on our website.

## ***TABLE OF CONTENTS***

04	Contents of packaging
05	Shifter assembly

## CONTENTS OF PACKAGING

### Handbrake

1x MECA EVO1 SQ shifter

4x M6x25 screw

8x Steel washer

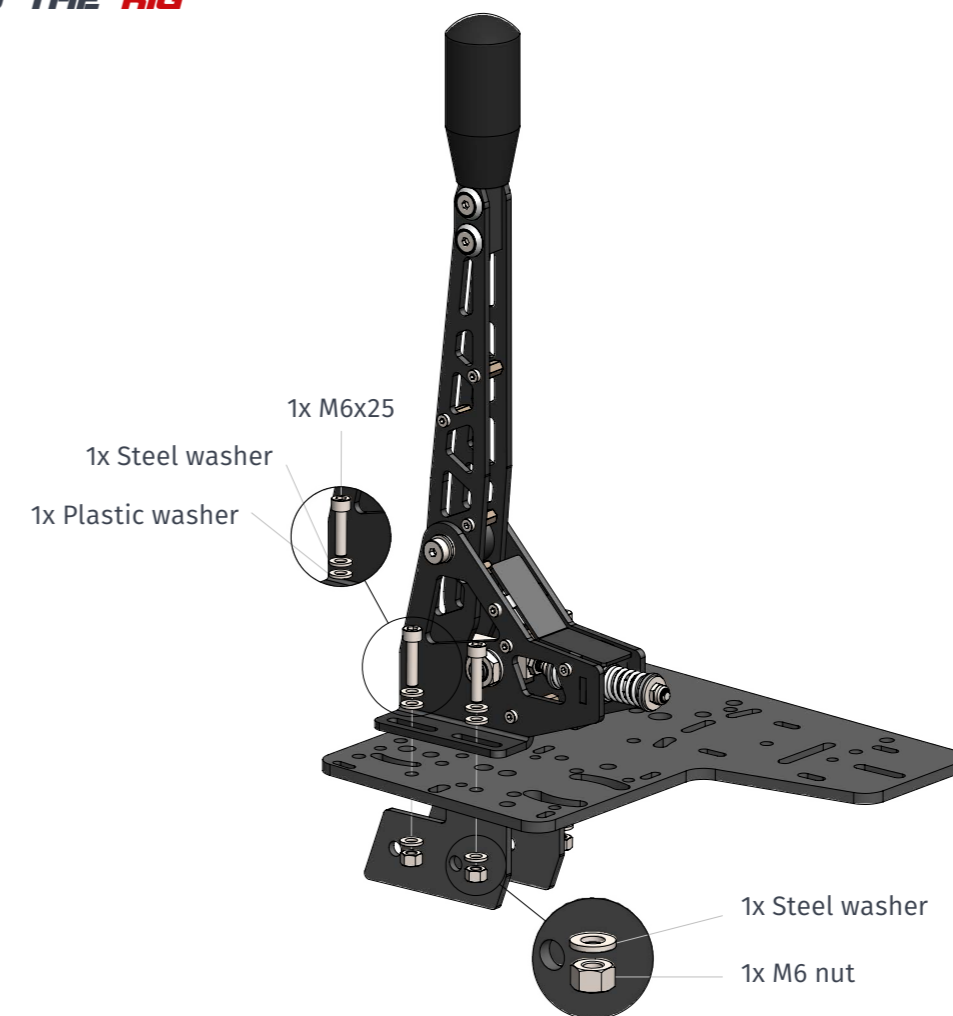
4x Plastic washer

1x Special wrench for adjusting the spring  
preload

1x Electronic box

## SHIFTER ASSEMBLY

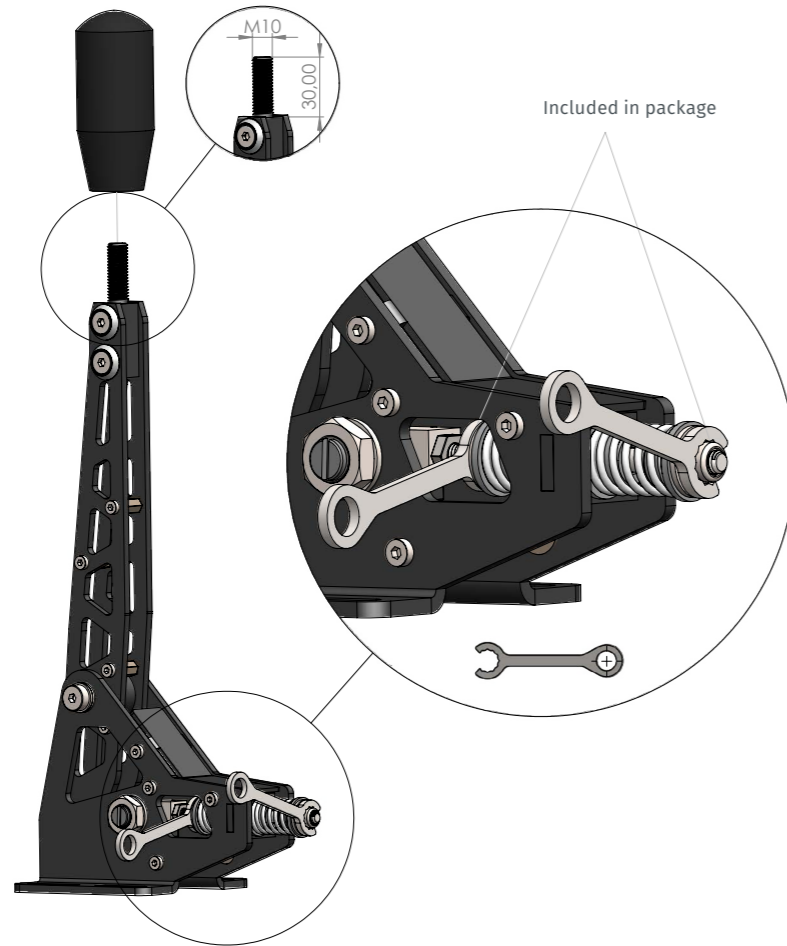
### MOUNTING TO THE RIG



### ADJUSTING THE **SPRING SETTINGS** AND **SHIFTER HANDLE REPLACEMENT**

Springs can be adjusted using special key included in package.

If you wish to change your shifter handle, you can do so. The handle is mounted on 30mm long M10 thread.



### ADJUSTING THE **SHIFT CLICK FEELING**

You can adjust shifter click toughness using the flat screw driver and 19mm wrench.





## CONTACT

Email: [support@mecasimhardware.com](mailto:support@mecasimhardware.com)  
Website: [www.mecasimhardware.com](http://www.mecasimhardware.com)

[WWW.MECASIMHARDWARE.COM](http://WWW.MECASIMHARDWARE.COM)