



EVO1 HB

WWW.MECASIMHARDWARE.COM

INTRODUCTION

Dear customer, thank you for purchasing our MECA EVO1 handbrake.

This EVO1 handbrake was developed as part of our MECA EVO1 series to accompany our newest pedal set. Before you install or use the product, please read the manual which will provide the basic information required for the first installation and the possible configurations of our handbrake.

For any further information, please visit the "Support" section on our website.

TABLE OF CONTENTS

| | |
|----|-----------------------|
| 04 | Contents of packaging |
| 05 | Handbrake assembly |

CONTENTS OF PACKAGING

Handbrake

- 1x MECA EVO1 handbrake
- 4x M6x30 screw
- 8x Steel washer
- 4x Plastic washer
- 1x Set of polyurethane bushings
(2x Black, 1x Blue, 1x Orange)
- 1x Electronic box

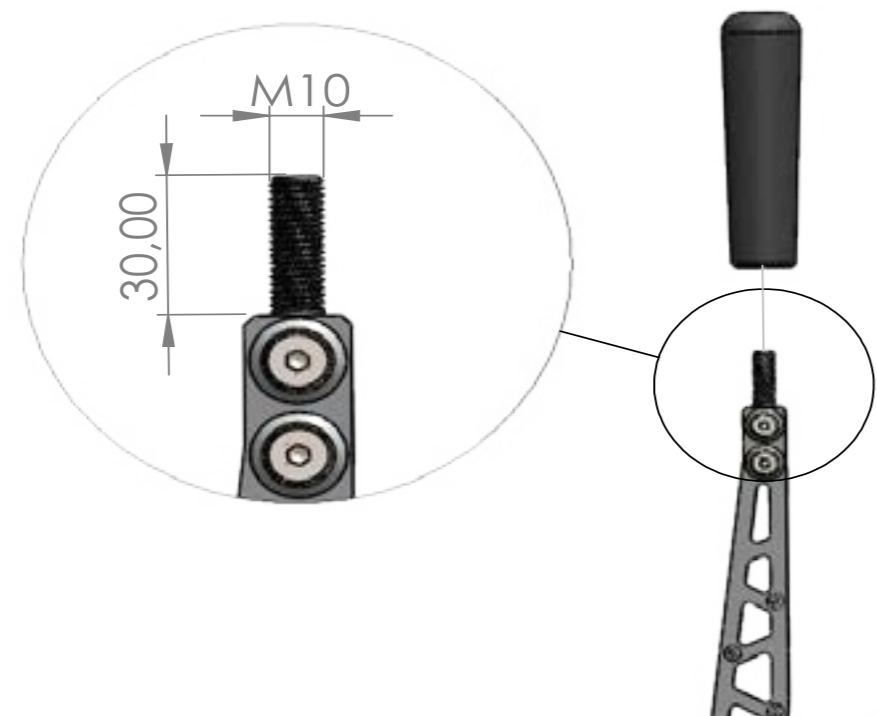
HANDBRAKE ASSEMBLY

MOUNTING TO THE RIG



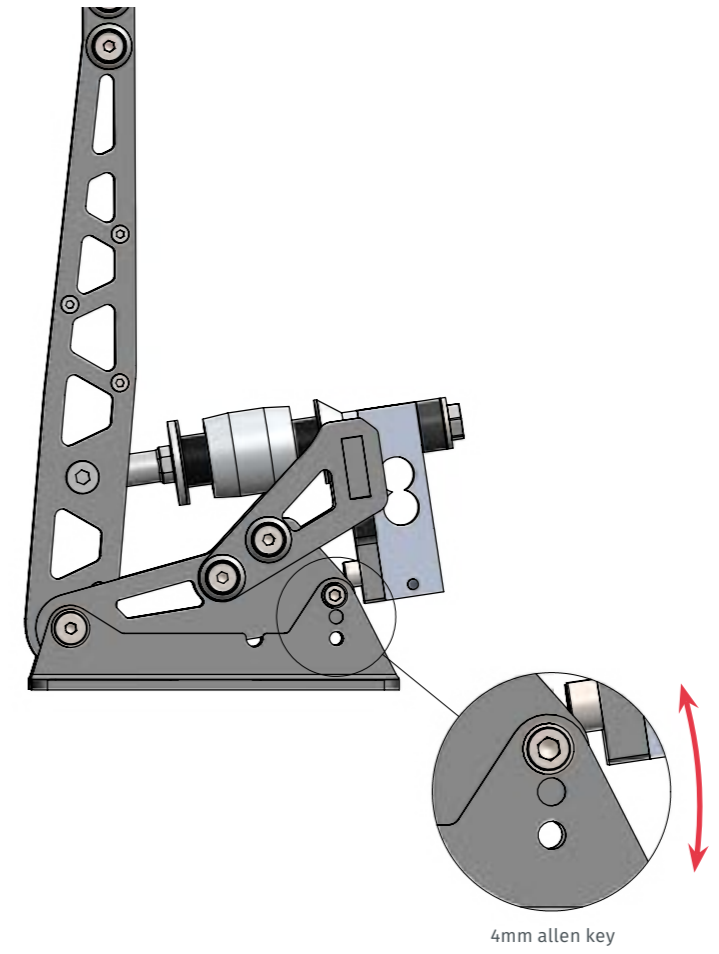
CHANGING **HANDBRAKE HANDLE**

If you wish to change your handbrake handle, you can do so. The handle is mounted on 30mm long M10 thread.



ADJUSTING **HANDBRAKE ANGLE**

You can adjust handbrake angle using the 4mm allen key and pre-drilled holes



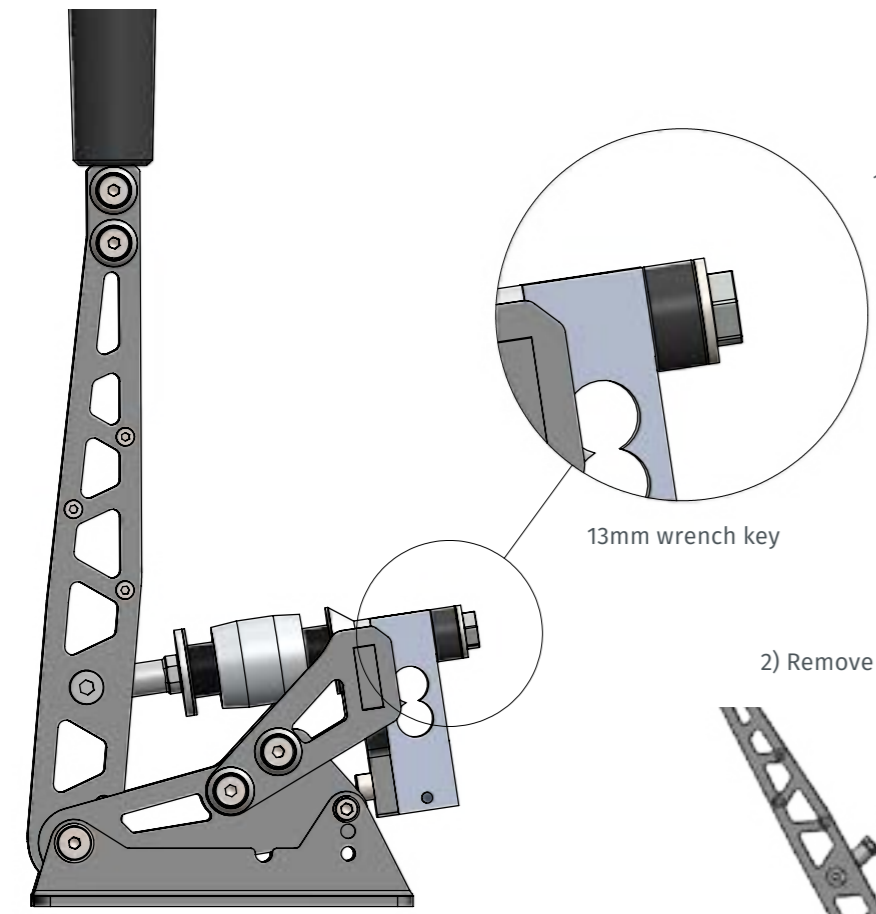
Before adjusting angle of the handbrake, unscrew only ONE side at the time!

Before adjusting, you MUST remove handbrake from the rig!

CHANGING POLYURETHANE BUSHINGS



After every mechanical adjustment, we recommend to perform recalibration of the handbrake.



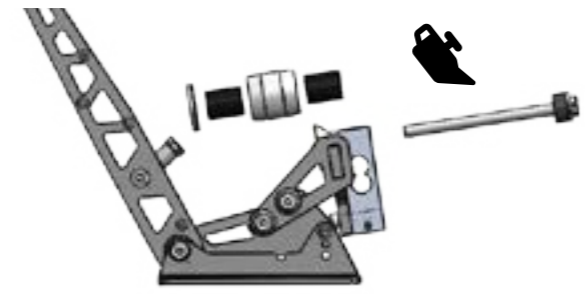
1) Unscrew rod from ball joint

13mm wrench key

POLYURETHANE BUSHINGS

| Combination | | Firmness level |
|-------------|--------|----------------|
| Black | Black | 1 |
| Black | Blue | 2 |
| Black | Orange | 3 |
| Blue | Orange | 4 |

2) Remove cup assembly and exchange bushings



Recommended lubricant



WD-40 PTFE Dry spray

CONTACT

Email: support@mecasimhardware.com
 Website: www.mecasimhardware.com